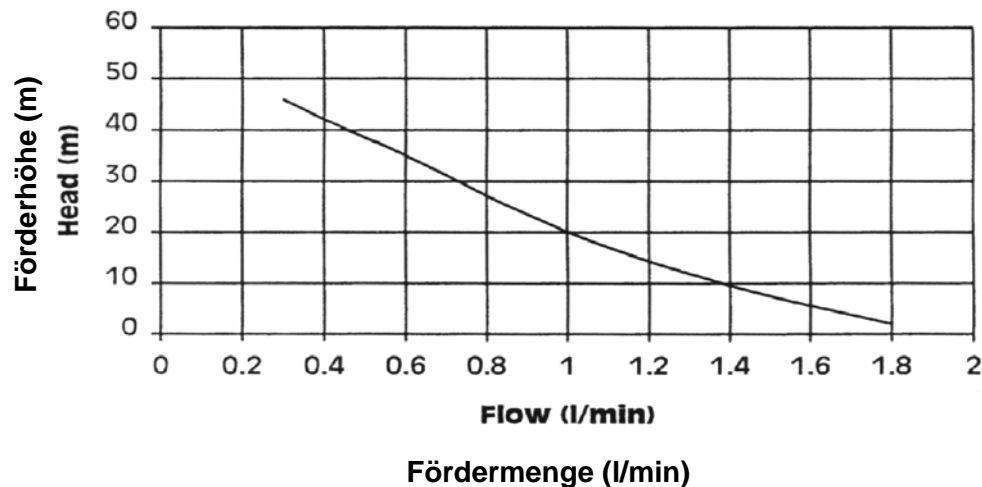


## Zahnradpumpe mit Magnetkupplung Magnetically coupled gear pump PCG 2/50



Leistungskurve\* (load diagram)\*

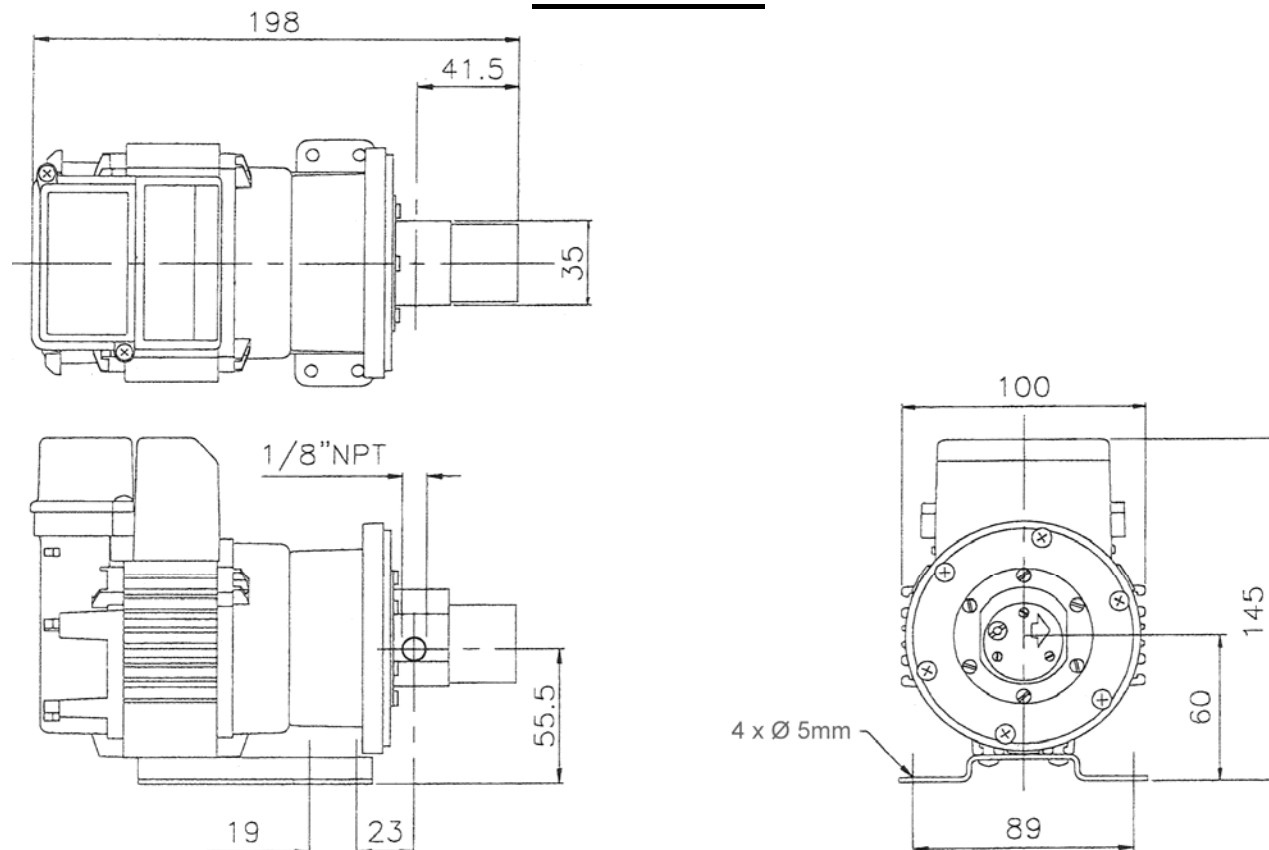


| Typ  | Volt | Ph | Hz | Saugstutzen | Druckstutzen | Artikel-Nr. |
|--|------|----|----|-------------|--------------|-------------|
| PCG 2/50 P PEEK                                | 230  | 1  | 50 | 1/8" NPT IG | 1/8" NPT IG  | 18950       |
| PCG 2/50 T PTFE                                | 230  | 1  | 50 | 1/8" NPT IG | 1/8" NPT IG  | 18951       |
| PCG 2/50 P PEEK                                | 400  | 3  | 50 | 1/8" NPT IG | 1/8" NPT IG  | 101 232     |
| PCG 2/50 P PEEK<br>ATEX II 2G EEx-d II C T4/T5 | 400  | 3  | 50 | 1/8" NPT IG | 1/8" NPT IG  | 101 238     |
| PCG 2/50 P PEEK                                | 110  | 1  | 50 | 1/8" NPT IG | 1/8" NPT IG  | 26954       |
| PCG 2/50 T PTFE                                | 110  | 1  | 50 | 1/8" NPT IG | 1/8" NPT IG  | 08938       |

\* Die Leistungskurve wurde mit Wasser bei 20°C ermittelt

\* Performance tested with clean cold water @ 20°C

## Zahnradpumpe mit Magnetkupplung *Magnetically coupled gear pump* **PCG 2/50**



| Technische Daten (Technical data) |                               |                    |                   |
|-----------------------------------|-------------------------------|--------------------|-------------------|
| max. Fördermenge                  | <b>(discharge rate)</b>       | 2 l/min            |                   |
| max. Förderhöhe                   | <b>(delivery head)</b>        | 50 m               |                   |
| Temperaturbereich                 | <b>(temperature range)</b>    | PEEK -45...+120 °C | PTFE -45...+50°C  |
| Gehäusedruck                      | <b>(pump casing pressure)</b> | 20 bar             |                   |
| Saugstutzen                       | <b>(inlet port)</b>           | 1/8" NPT IG        |                   |
| Druckstutzen                      | <b>(discharge side)</b>       | 1/8" NPT IG        |                   |
| Gehäusematerial                   | <b>(pump casing material)</b> | Edelstahl          |                   |
| Zahnräder                         | <b>(gears)</b>                | PTFE               | PEEK              |
| Welle                             | <b>(spindle material)</b>     | Edelstahl          |                   |
| O-Ring                            | <b>(o-ring)</b>               | PTFE               |                   |
| Motor                             | <b>(motor)</b>                | 230V 1Ph 50/60Hz   | 400V 3Ph 50Hz     |
| Leistung                          | <b>()</b>                     | 0,12 kW            |                   |
| Dauerbetrieb                      | <b>(continuous ring)</b>      | Ja (yes)           |                   |
| Gesamtgewicht                     | <b>(total weight)</b>         | 230V ~3,5 kg       | 400V ATEX ~5,5 kg |

Die Pumpen sind selbstansaugend und für kurzzeitigen Trockenlauf geeignet.

**Attention:** These magnetically pumps are designed for use with clean fluids. Solids will cause jamming. Abrasives will reduce pump live and invalidate the warranty. The pumps are not designed to run dry.